

PLP - CLOTHES DRYER

If a Plan covering a gas dryer is purchased, all parts and labor services required for the repair or replacement of the following gas dryer items will be covered at no additional charge, if they become defective as a result of normal wear and usage:

A CONTROLS AND SWITCHES

B DOOR CATCH

C DOOR GASKET

D DRUM ROLLERS

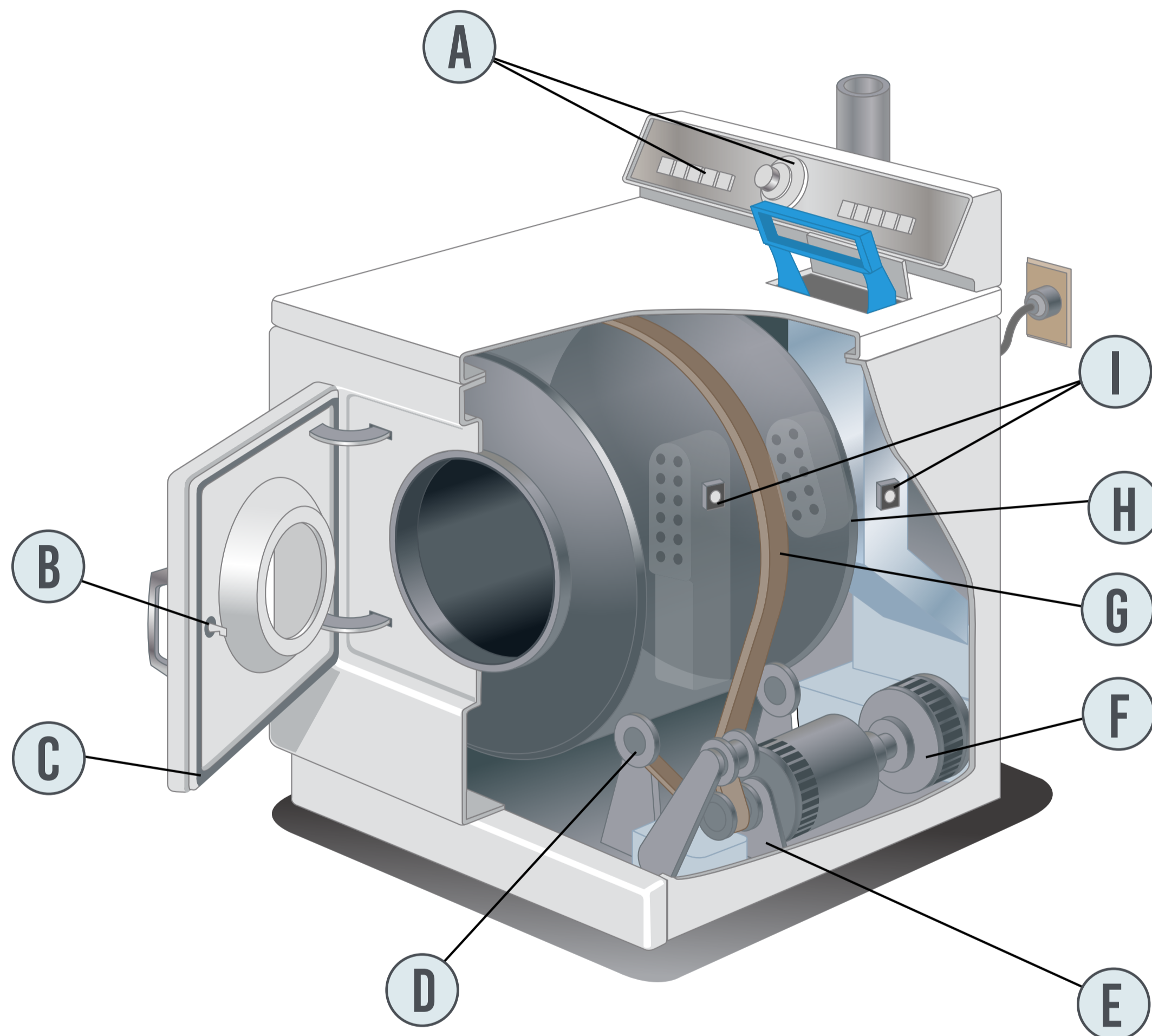
E PULLEY AND SPRING

F BLOWER ASSEMBLY

G DRUM BELT

H DRUM FELT

I THERMOSTATS
(FIXED & ADJUSTABLE)



PARTS COVERED:

- Belts, Pulleys & Bearings
- Blower Assembly
- Burners
- Circuit Board
- Coil Kits
- Door Gaskets & Clips
- Drum Belts & Seals
- Drum Glides
- Drum Rollers
- Flame Sensors
- Gas Valves
- Igniters & Brackets
- Internal Appliance Wiring
- Limit Controls
- Pilot & Pilot Safeties
- Regulators
- Shut-off Valves (part of dryer)
- Switches (Door-Start)
- Thermostats (fixed & adjustable)
- Timers

For coverage, dryer must be vented to the outside with approved venting material. Venting material is not covered.